



SPIUMATRICI

- MANUALE ISTRUZIONI
- INSTRUCTION MANUAL
- MANUEL D'INSTRUCTION
- BEDIENUNGSANLEITUNG
- MANUAL DE INSTRUCCIONES
- Инструкция по эксплуатации



Mod. **ZIPPY**

MACCHINA SPIUMATRICE
motore 230/240V monofase

DRY PLUCKING MACHINES
230/240V single-Phase motor

PLUMEUSE
moteur en 230/240V monophasé

RUPFERMASCHINEN
motoren einphasenspannung 230/240V

DEPLUMADORA
motor 230/240V monofasico

fig.1

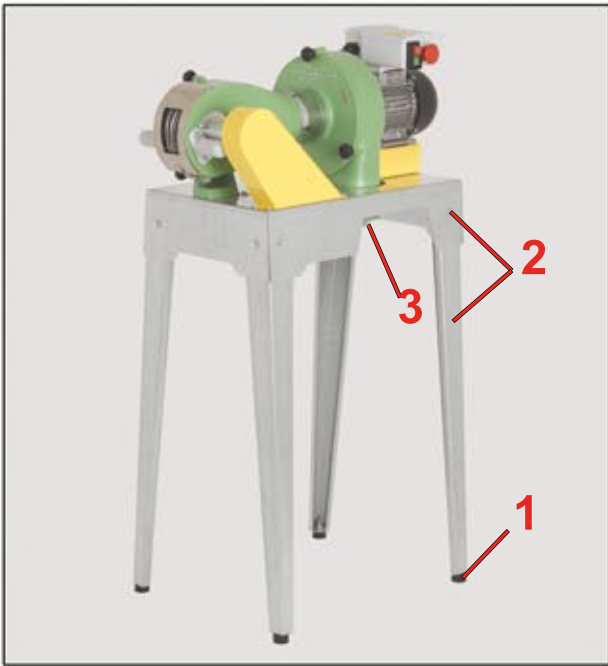


fig.2

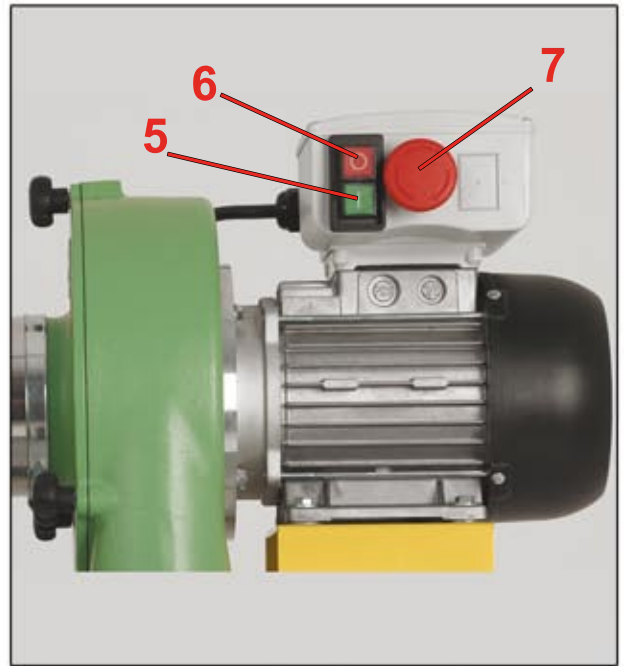


fig.3

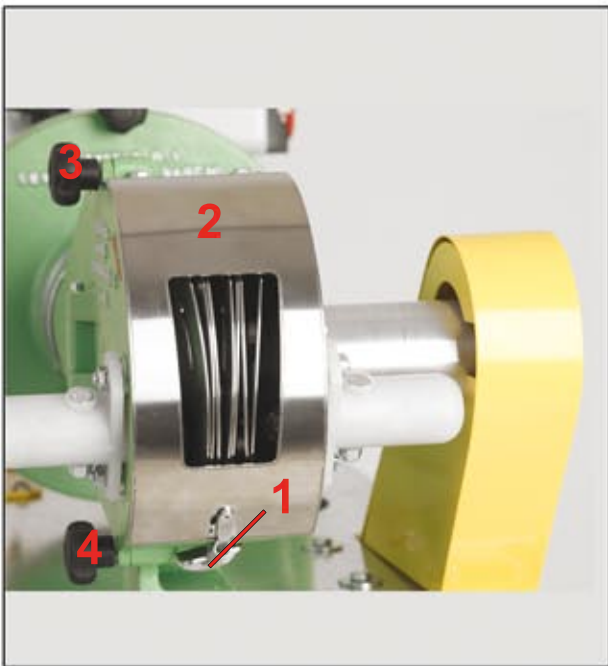


fig.4

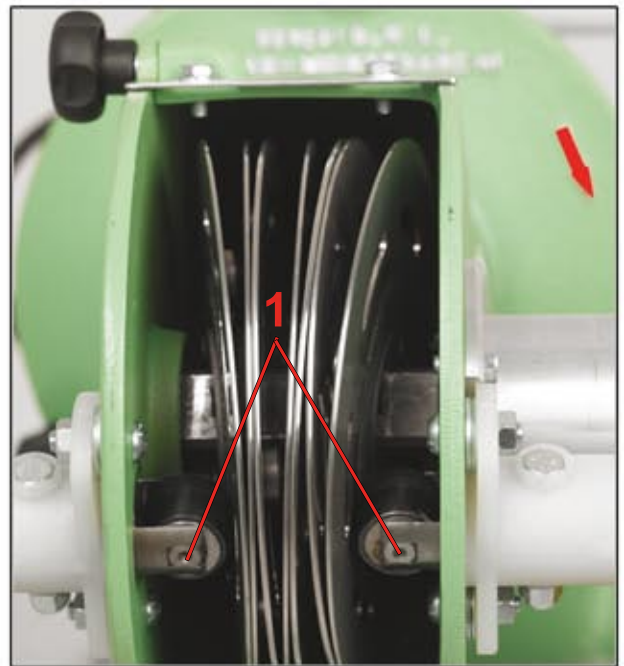
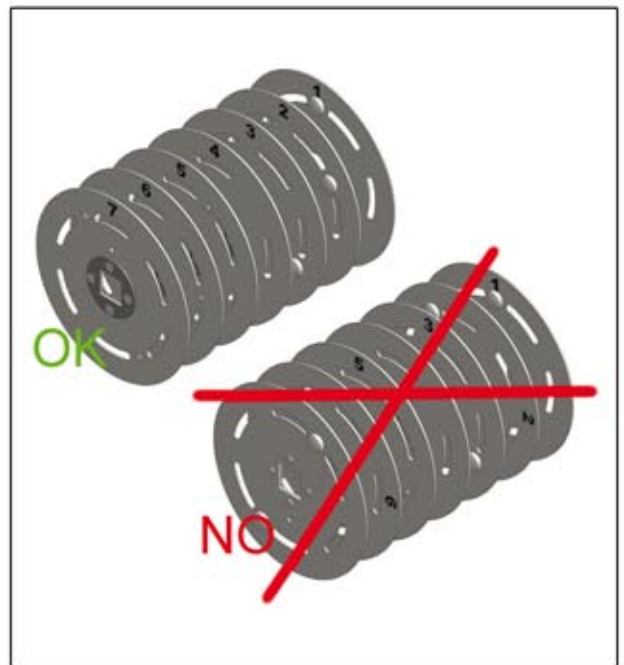


fig.5



fig.6



Schema elettrico

Wiring diagram

fig.7



fig.8

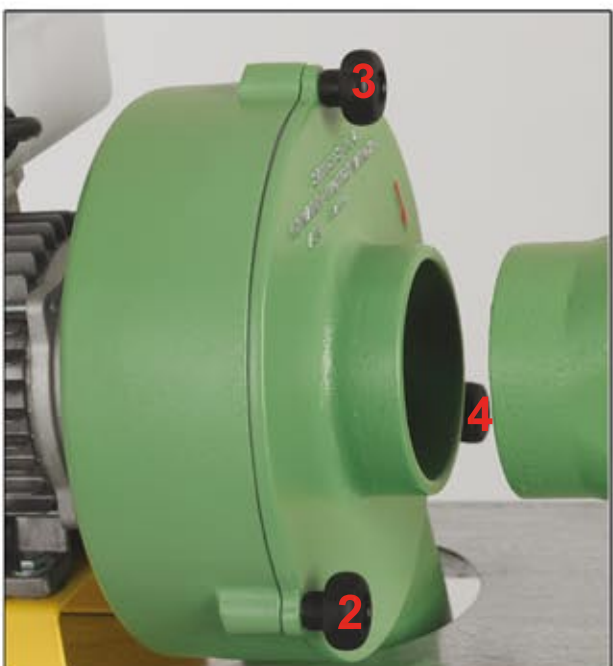
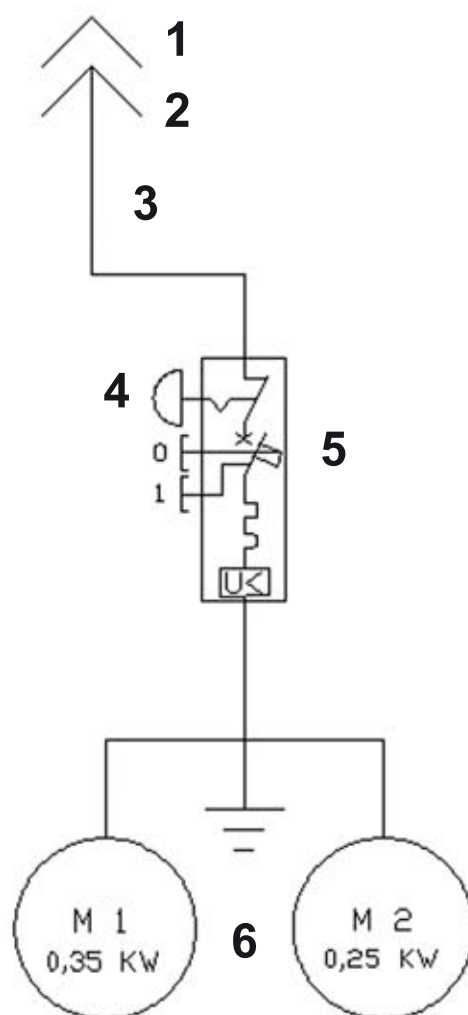


fig.9



- 1** Presa 16A acura dll'utilizzatore
Electrical power by use
- 2** Spina EN 60309 Un=200-250V 2P+T = 16A
Electric plug EN 60309 Un=200-250V 2P+T In 16=A
- 3** Cavo multipolare H07RN-F Cei 20-19 CENELEC HD22
2x2,5 mmq resistente all'abrasione e fiamma
Multi-cable H07RN-F Cei 20-19 CENELEC HD22
2x2,5 mmq Abrasion an fire resistant
- 4** Comando di emergenza
Emergently push buttonù
- 5** Interruttore automatico magneto termico
I th 2,5 4 A im = 30-48 A + relè di minima tensione
Magnetic circuit breaker termalò I th 2,5 4 A im = 30-48A
+ undervoltage relay
- 6** Motori elettrici monofase con rotore in cortocircuito
230/240V 50-50 Hz a norme IEC 34-1
Electric motors With rotor in phase short circuit
230/240V 50-60 Hz a standards IEC 34-1





1- CONDITIONS OF USE

The users are recommended not to wear loose clothing and, if with long hair, to collect it appropriately.
Do not insert fingers inside the discs. However, there is no danger of cutting conditions.
There are no adjustment conditions of the operation and use of the machine.
It concerns equipment with a safety device through mushroom emergency stop.

2- INSTALLATION

Before making arrangements to start-up, the user must provide for the installation of a 16A electrical power socket, suitable for the type of plug installed on the machine (IEC Standards 309). The connection of the machine must be on a protected line with a suitable differential circuit breaker.

THE MACHINE IS DELIVERED READY FOR USE.

3- USE

Before connecting the machine to electrical power supply and proceeding with plucking, attach to the aspirator the special bag (Fig. 1, point 3). DO NOT USE HERMETIC BAGS.

4- START-UP

Once inserted the plug into the socket, press the switch (Fig. 2, point 5). This action is followed by start-up of the aspirator and the plucking block. To stop the machine press the button (fig 2 point 6).

5- RESET MOTOR PROTECTOR

In case of sudden electrical power supply failure, the switch automatically moves to the stop position. Once the electrical power supply is restored, it is necessary to act again on the switch by pressing the start pushbutton (Fig. 2, point 5).

6- UNLOCKING THE EMERGENCY PUSHBUTTON

In case of emergency during use, act on the special pushbutton (Fig. 2, point 7) to block voltage. To reactivate the machine, unlock the emergency pushbutton by turning it clockwise and restart the machine by pressing on the switch (Fig. 2, point 5).

7- TRANSPORT

For transport, the machine is delivered fully assembled of its mechanical and electrical parts. The legs of the base and the are supplied unassembled.

8- ASSEMBLY

Fix the legs to the base (Fig. 1, point 2) and secure them by using the nuts and bolts from the specially supplied kit. At the lower end of each leg, screw the supplied anti-vibrating dowels (Fig. 1, point 1).

9- MAINTENANCE

ATTENTION: before proceeding to the phases indicated below, DISCONNECT THE ELECTRICAL POWER SUPPLY TO THE MACHINE.

a) LUBRICATION. Remove the protections to the discs (Fig. 3, point 1.2). Introduce the grease with the specially supplied instrument, in parts 1, Fig. 4. It is advisable to perform this operation about every 4 hours of work.

In case of use with wet birds, once the operation is completed, proceed with lubrication.

b) ACCESS TO THE MECHANICAL PARTS (disassembly, cleaning, reassembly).

To access the plucking block, remove the protections to the discs (Fig. 3, point 1.2), unscrew the two points 3 and 4 (Fig.3), open the door, extract the discs and clean them. Clean the internal parts of the disc space about every 8 hours of work.

IMPORTANT: reassembly of the discs must be carried out by following these exact phases:

The discs are numbered from 1 to 7 and the number is printed only on one side of the disc at a small hole (Fig. 5, point 1)

After having lubricated the four sides of the axis that will house them, the first disc to be inserted will be No. 1, to be followed in order by taking care that the number remains visible to the operator and that all the numbers are on the axis (Fig. 6).

To access inside the aspirator, the screws must be loosened (Fig. 7, point 1), nscrew the screws (Fig. 8, points 2, 3, 4).

Clean the inside (Fig. 9) and reassemble by following the reverse succession.

10- AIR SOUND PRODUCED BY THE MACHINE

10.1 Continuous sound pressure level equivalent at the workstation.

LEQ (A) = 101.3 dB - vacuum operation

LEQ (A) = 99.0 dB - chicken plucking and presence operator

10.2 Maximum value of the instantaneous sound pressure (weighted C): $p(c) < 63Pa$

10.3 Sound power lever: $L_w (A) = 111.3 dB$ chicken plucking and presence operator

Reference Standards adopted for the measurements: UNI 7712 and ISO 3744

Seen the level of noisiness produced by the machine, **USE OF APPROPRIATE PERSONAL PROTECTION DEVICES FOR HEARING BECOMES MANDATORY**

Statement of Compliance

The SENESI S.r.l. Company
With Head Office in No. 4, Via Mercurio, Levane district,
Montevarchi – 52025 – (AR) – ITALY –
Tax Code/VAT No., Arezzo Companies Register,
Ordinary Div., IT001877950970
Tel. +39 055 9788134, fax +39 055 9780088

E-mail: info@spiumatricisenesi.it
www.spiumatricisenesi.it

states that the dry plucking machines, model ZIPPY, 230/240 V single-phase, type, meet the safety requirements prescribed by Directive 2006/42/EC. Harmonised Standards: EN 60204 (safety of the electrical machinery-equipment of the machines); UNI EN ISO 13850 (safety of the emergency stop machinery-plant); Directive "Low Voltage" (2006/95/CE); Directive "Electromagnetic Compatibility" (2004/108/EC); Directive "Restrictions of components materials" (2002/95/EC-RoHS (Restrictions of Hazardous Substances Directive)

Legal and Commercial Warranty

Directive 99/44/EC and the individual national assimilation legislation, introduce a new system of warranties for movable property purchased by consumers, and intending by "consumer" exclusively "whoever uses the good for purposes unrelated to business or professional activity" (household/private use).

The "legal warranty of two years duration" provided by the Directive is granted directly to the consumer by the seller and meets any "lack of compliance to the sales contract". The customer, to exercise his rights, undertakes to notify any lack of compliance within the first six months from the date of purchase, as evidenced by the purchase document fiscally valid. In this case, SENESI S.r.l. is committed to the repair of the defect at no charge to the customer.

From the seventh to the twenty-fourth month, the consumer must bear the cost of shipping, while SENESI is committed to provide free of charge the cost of any parts used and labour. However, in the face of proven lack of compliance, the customer will not incur into any charges. The service rendered under warranty does not extend the warranty period. Therefore, in case of replacement of the product or of any of its components, on the good or on the individual component provided as a replacement there does not initiate a new warranty period but the date of purchase of the original good must be taken into consideration. Any further rights of any kind are excluded.

The warranty does not cover normal wear phenomena.

There is no right to request the warranty if the defect or damage was caused by usage not in compliance with the prescriptions given in the special instructions booklet concerning the warnings regarding the installation, use and maintenance of the machine. Non-compliant are defined for example the following actions: repairs or actions carried out by unauthorised persons, manipulation of components of the assembly; defects or damage caused by external events, such as for example insufficient supply of electrical power by the plants, fall, break, lightning or damage caused by the influences of mechanical, chemical, thermal; additions or accessory type not authorised by the manufacturer according to art.5 of Directive 99/44/EC.

Warranty of goods sold for Entrepreneurial or Professional activity

In the case of purchases for Entrepreneurial or Professional activity (sales with invoice and VAT) the valid warranty is only the Commercial one for twelve months.

